

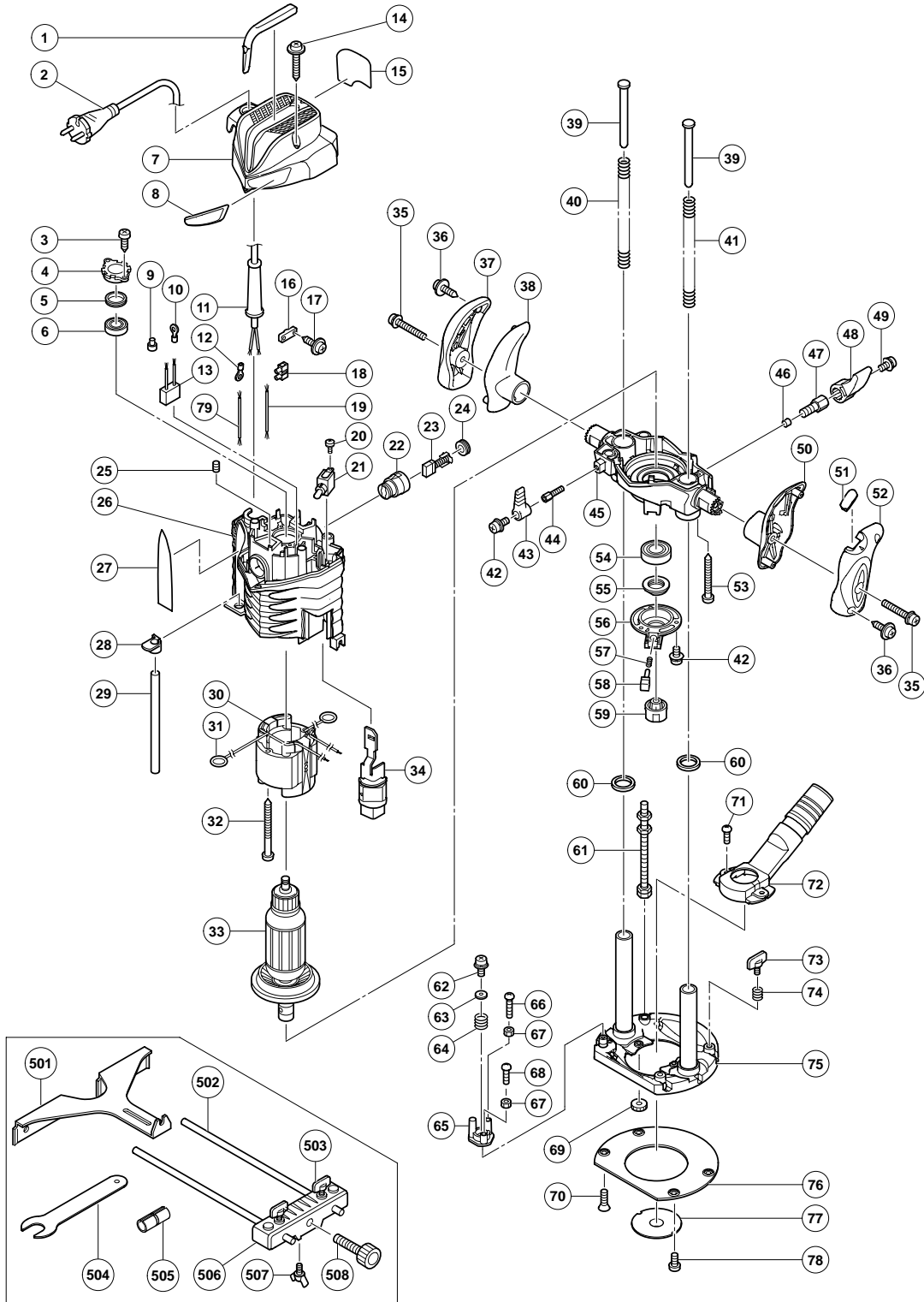
ELECTRIC TOOL PARTS LIST

ROUTER

2006 • 3 • 28

Model M 8SA2

(E1)



PARTS

M 8SA2

ITEM NO.	CODE NO.	DESCRIPTION	NO. USED	REMARKS
1		HITACHI LABEL (B)	1	
* 2	500-234Z	CORD	1	(CORD ARMOR D8.8)
* 2	500-247Z	CORD	1	(CORD ARMOR D8.8) FOR AUT, FIN, DEN, SWE, NOR
* 2	500-439Z	CORD	1	(CORD ARMOR D8.8) FOR AUS, NZL
* 2	500-447Z	CORD	1	(CORD ARMOR D8.8) FOR SUI
3	954-017	TAPPING SCREW D4X12	2	
4	326-096	BEARING BUSHING	1	
5	323-420	RUBBER RING	1	
6	608-VVM	BALL BEARING 608VVC2PS2L	1	
7	326-109	HEAD COVER	1	
8		HITACHI LABEL (A)	1	
9	959-141	CONNECTOR 50092 (10 PCS.)	1	
10	930-804	TERMINAL M4.0 (10 PCS.)	1	
11	953-327	CORD ARMOR D8.8	1	
* 12	980-063	TERMINAL	1	FOR CORD
13	930-039	NOISE SUPPRESSOR	1	
14	307-028	TAPPING SCREW (W/FLANGE) D4X25 (BLACK)	3	
15		NAME PLATE	1	
16	937-631	CORD CLIP	1	
17	984-750	TAPPING SCREW (W/FLANGE) D4X16	2	
* 18	938-307	PILLAR TERMINAL	1	
* 18	958-308Z	PILLAR TERMINAL (A)	1	FOR AUT, FIN, DEN, SWE, NOR, SUI
19	326-177	INTERNAL WIRE (BLUE)	1	
20	307-887	MACHINE SCREW (W/WASHER) M3.5X6	2	
21	314-603	SWITCH (1P SOLDER TYPE)	1	
22	981-586	BRUSH HOLDER	2	
23	999-043	CARBON BRUSH (1 PAIR)	2	
24	961-781	BRUSH CAP	2	
25	938-477	HEX. SOCKET SET SCREW M5X8	2	
26	326-093	HOUSING ASS'Y	1	INCLUD. 22, 25
27	326-090	SCALE	1	FOR EUROPE
27	326-094	SCALE	1	FOR NZL, AUS, SAF
28	326-084	MARKER	1	
29	325-196	STOPPER POLE (A)	1	
* 30	340-677E	STATOR ASS'Y 230V	1	INCLUD. 31
* 30	340-677F	STATOR ASS'Y 240V	1	INCLUD. 31
31	930-703	BRUSH TERMINAL	2	
32	960-251	HEX. HD. TAPPING SCREW D5X65	2	
* 33	360-775E	ARMATURE 230V	1	
* 33	360-775F	ARMATURE 240V	1	
34	326-083	LEVER	1	
35	307-443	MACHINE SCREW (W/WASHERS) M6X30 (BLACK)	2	
36	305-812	TAPPING SCREW (W/FLANGE) D4X16 (BLACK)	4	
37	325-220	HANDLE (L) B	1	
38	325-171	HANDLE (L) A	1	
39	325-180	SPRING GUIDE	2	
40	303-316	SPRING	1	
41	303-317	SPRING	1	
42	935-196	MACHINE SCREW (W/WASHERS) M4X12 (BLACK)	4	
43	325-174	LEVER (C)	1	
44	325-175	LOCK SCREW M6	1	

PARTS

M 8SA2

ITEM NO.	CODE NO.	DESCRIPTION	NO. USED	REMARKS		
45	326-097	END BRACKET	1			
46	971-848	LOCK PIECE	1			
47	325-187	LOCK SCREW M10	1			
*	48	326-042	LEVER (A)	1		
*	48	322-601	LEVER (A) W/O STOPPER	1	FOR SAF	
49	997-314	MACHINE SCREW (W/WASHERS) M6X10	1			
50	325-172	HANDLE (R) A	1			
51	325-227	DIAL COVER	1			
52	325-221	HANDLE (R) B	1			
53	307-100	TAPPING SCREW D5X50	4			
54	600-4T1	BALL BEARING 6004TIXVV	1			
55	325-186	THRUST NUT	1			
56	326-082	BEARING COVER	1			
57	325-183	LOCK SPRING (A)	1			
58	325-182	PUSHING BUTTON	1			
*	59	325-212	COLLET CHUCK 8MM	1		
*	59	323-293	COLLET CHUCK 1/4"	1	FOR AUS, NZL, SAF	
60	323-426	FELT	2			
61	302-315	SCREW M8	1			
62	317-200	MACHINE SCREW (W/WASHERS) M4X8 (BLACK)	1			
63	962-569	WASHER (B)	1			
64	971-858	SPRING (A)	1			
65	326-081	STOPPER BLOCK	1			
66	302-316	MACHINE SCREW M5X25 (BLACK)	1			
67	302-012	NUT M5 (BLACK)	2			
68	302-317	MACHINE SCREW M5X16 (BLACK)	1			
69	997-467	KNOB NUT	2			
70	992-013	SEAL LOCK FLAT HD. SCREW M5X14	4			
71	949-237	MACHINE SCREW M5X12 (10 PCS.)	2			
*	72	997-466	DUST COLLECTION ADAPTER SET	1	INCLUD 69, 71 FOR EUROPE	
73	301-806	WING BOLT M6X15	2			
74	947-859	LOCK SPRING	2			
75	326-098	BASE	1			
76	326-080	SUB BASE	1			
77	956-790	TEMPLATE GUIDE D18	1			
78	949-234	MACHINE SCREW M5X6 (10 PCS.)	2			
*	79	326-179	INTERNAL WIRE (BROWN)	1	FOR AUT, FIN, DEN, SWE, NOR, SUI	

STANDARD ACCESSORIES

M 8SA2

ITEM NO.	CODE NO.	DESCRIPTION	NO. USED	REMARKS
501	956-797	STRAIGHT GUIDE	1	
502	971-622	GUIDE BAR	2	
503	301-806	WING BOLT M6X15	2	
504	323-295	WRENCH 23MM	1	
505	971-852	CHUCK SLEEVE 8X6	1	
506	326-091	BAR HOLDER	1	
507	949-394	WING BOLT M6X10 (10 PCS.)	1	
508	956-793	FEED SCREW	1	

OPTIONAL ACCESSORIES

ITEM NO.	CODE NO.	DESCRIPTION	NO. USED	REMARKS
* 601	971-878	STRAIGHT BIT (TCT) D1/4"X1/4"	1	FOR AUS, NZL, SAF
* 602	956-808	STRAIGHT BIT (TCT) D8X8	1	EXCEPT FOR AUS, NZL, SAF
* 603	323-293	COLLET CHUCK 1/4"	1	EXCEPT FOR AUS, NZL, SAF
604	956-794	TRIMMER GUIDE	1	
605	997-466	DUST COLLECTION ADAPTER SET	1	INCLUD. 606, 607
606	997-467	KNOB NUT	2	
607	949-237	MACHINE SCREW M5X12 (10 PCS.)	2	
608	318-304	ADJUSTING KNOB SET	1	INCLUD. 609-612
609	318-350	SQUARE NUT	1	
610	317-300	SLEEVE	1	
611	956-046	WASHER (B)	1	
612	971-858	SPRING (A)	1	
613	303-347	TEMPLATE GUIDE D9.5	1	
614	303-348	TEMPLATE GUIDE D10	1	
615	303-349	TEMPLATE GUIDE D11.1	1	
616	303-350	TEMPLATE GUIDE D12	1	
617	303-351	TEMPLATE GUIDE D12.7	1	
618	303-352	TEMPLATE GUIDE D14	1	
619	303-353	TEMPLATE GUIDE D16	1	
620	303-354	TEMPLATE GUIDE D24	1	
621	303-355	TEMPLATE GUIDE D40	1	