

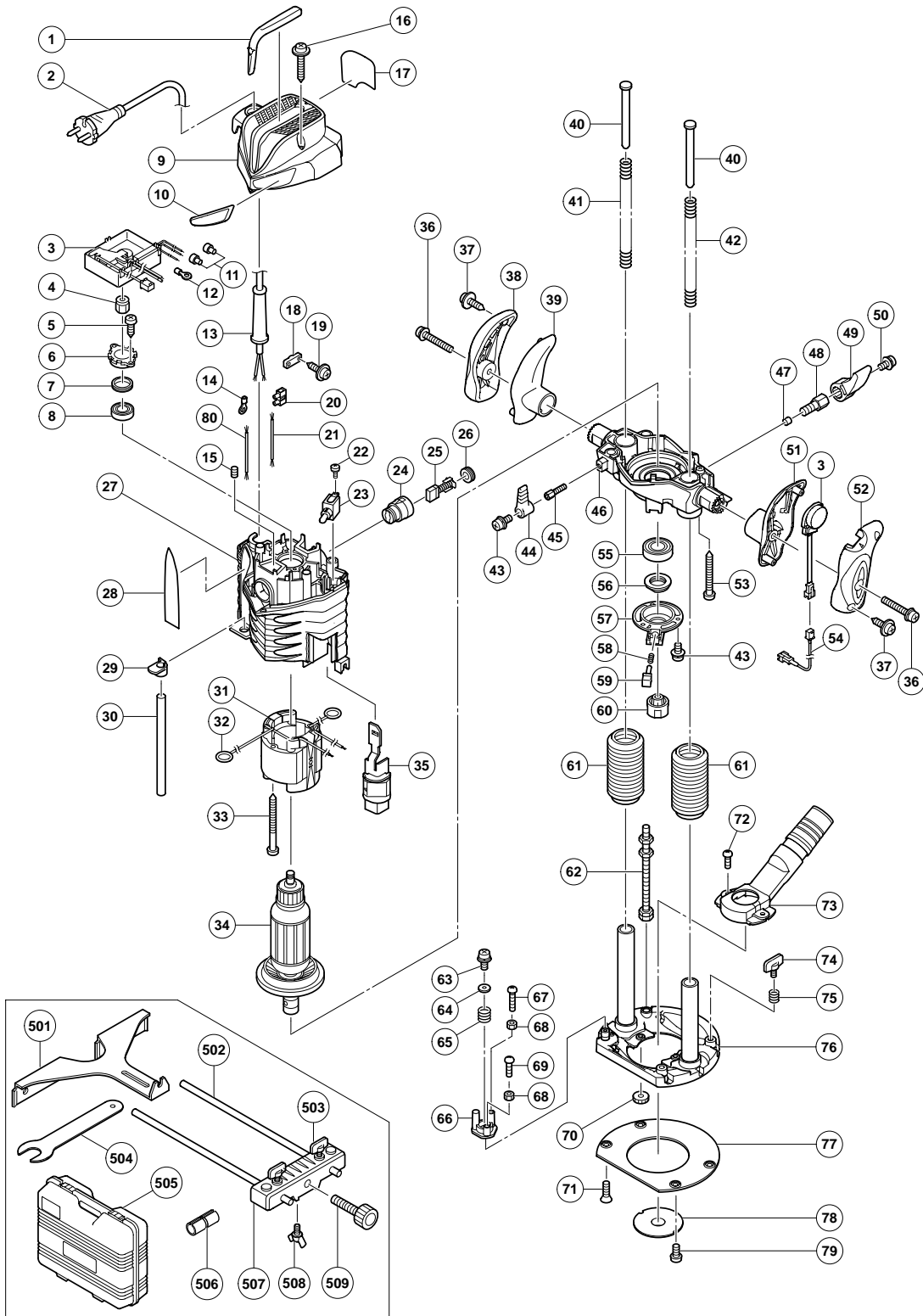
ELECTRIC TOOL PARTS LIST

ROUTER

2006 • 3 • 28

Model M 8V2

(E1)



PARTS

M 8V2

ITEM NO.	CODE NO.	DESCRIPTION	NO. USED	REMARKS
1		HITACHI LABEL (B)	1	
* 2	500-234Z	CORD	1	(CORD ARMOR D8.8)
* 2	500-247Z	CORD	1	(CORD ARMOR D8.8) FOR FIN, NOR, SWE, DEN, AUT
* 2	500-241Z	CORD	1	(CORD ARMOR D8.8) FOR USA, CAN
* 2	500-439Z	CORD	1	(CORD ARMOR D8.8) FOR NZL, AUS
* 2	500-435Z	CORD	1	(CORD ARMOR D8.8) FOR GBR (230V)
* 2	500-237Z	CORD	1	(CORD ARMOR D8.8) FOR GBR (110V)
* 3	326-086	CONTROLLER PACKAGE 100V-120V	1	
* 3	326-092	CONTROLLER PACKAGE 230V-240V	1	
4	307-093	MAGNET	1	
5	954-017	TAPPING SCREW D4X12	2	
6	326-079	BEARING BUSHING	1	
7	323-420	RUBBER RING	1	
8	608-VVM	BALL BEARING 608VVC2PS2L	1	
9	326-085	HEAD COVER	1	
10		HITACHI LABEL (A)	1	
11	959-140	CONNECTOR 50091 (10 PCS.)	2	
12	930-804	TERMINAL M4.0 (10 PCS.)	1	
13	953-327	CORD ARMOR D8.8	1	
* 14	980-063	TERMINAL	1	
* 14	930-804	TERMINAL M4.0 (10 PCS.)	1	FOR USA, CAN
15	938-477	HEX. SOCKET SET SCREW M5X8	2	
16	307-028	TAPPING SCREW (W/FLANGE) D4X25 (BLACK)	3	
17		NAME PLATE	1	
18	937-631	CORD CLIP	1	
19	984-750	TAPPING SCREW (W/FLANGE) D4X16	2	
* 20	938-307	PILLAR TERMINAL	1	
* 20	958-308Z	PILLAR TERMINAL (A)	1	FOR FIN, NOR, SWE, DEN, AUT
* 21	326-177	INTERNAL WIRE (BLUE)	1	
* 21	326-178	INTERNAL WIRE (WHITE)	1	FOR USA, CAN
* 21	326-180	INTERNAL WIRE (BLUE)	1	FOR GBR (110V)
22	307-887	MACHINE SCREW (W/WASHER) M3.5X6	2	
23	314-603	SWITCH (1P SOLDER TYPE)	1	
24	981-586	BRUSH HOLDER	2	
25	999-043	CARBON BRUSH (1 PAIR)	2	
26	961-781	BRUSH CAP	2	
27	326-093	HOUSING ASS'Y	1	INCLUD. 15, 24
* 28	326-090	SCALE	1	
* 28	326-094	SCALE	1	FOR NZL, AUS, GBR, USA, CAN
29	326-084	MARKER	1	
30	325-196	STOPPER POLE (A)	1	
* 31	340-675C	STATOR ASS'Y 110V-120V	1	INCLUD. 32
* 31	340-675E	STATOR ASS'Y 230V	1	INCLUD. 32
* 31	340-675F	STATOR ASS'Y 240V	1	INCLUD. 32
32	930-703	BRUSH TERMINAL	2	
33	960-251	HEX. HD. TAPPING SCREW D5X65	2	
* 34	360-773U	ARMATURE ASS'Y 110V-120V	1	INCLUD. 8, 55
* 34	360-773E	ARMATURE 230V-240V	1	
35	326-083	LEVER	1	
36	307-443	MACHINE SCREW (W/WASHERS) M6X30 (BLACK)	2	
37	305-812	TAPPING SCREW (W/FLANGE) D4X16 (BLACK)	4	

PARTS

M 8V2

ITEM NO.	CODE NO.	DESCRIPTION	NO. USED	REMARKS	
38	325-220	HANDLE (L) B	1		
39	325-171	HANDLE (L) A	1		
40	325-180	SPRING GUIDE	2		
41	303-316	SPRING	1		
42	303-317	SPRING	1		
43	935-196	MACHINE SCREW (W/WASHERS) M4X12 (BLACK)	4		
44	325-174	LEVER (C)	1		
45	325-175	LOCK SCREW M6	1		
46	326-088	END BRACKET	1		
47	971-848	LOCK PIECE	1		
48	325-187	LOCK SCREW M10	1		
*	49	326-042	LEVER (A)	1	
*	49	322-601	LEVER (A) W/O STOPPER	1	FOR USA, CAN
	50	997-314	MACHINE SCREW (W/WASHERS) M6X10	1	
	51	325-172	HANDLE (R) A	1	
	52	325-962	HANDLE (R) B	1	
	53	307-100	TAPPING SCREW D5X50	4	
	54	325-202	CORD (A)	1	
	55	600-4T1	BALL BEARING 6004TIXVV	1	
	56	325-186	THRUST NUT	1	
	57	326-082	BEARING COVER	1	
	58	325-183	LOCK SPRING (A)	1	
	59	325-182	PUSHING BUTTON	1	
*	60	325-212	COLLET CHUCK 8MM	1	
*	60	323-293	COLLET CHUCK 1/4"	1	FOR NZL, AUS, GBR, USA, CAN
	61	325-207	BELLOWS (A)	2	
	62	302-315	SCREW M8	1	
	63	317-200	MACHINE SCREW (W/WASHERS) M4X8 (BLACK)	1	
	64	962-569	WASHER (B)	1	
	65	971-858	SPRING (A)	1	
	66	326-081	STOPPER BLOCK	1	
	67	302-316	MACHINE SCREW M5X25 (BLACK)	1	
	68	302-012	NUT M5 (BLACK)	2	
	69	302-317	MACHINE SCREW M5X16 (BLACK)	1	
*	70	997-467	KNOB NUT	2	FOR EUROPE, GBR, AUT
	71	992-013	SEAL LOCK FLAT HD. SCREW M5X14	4	
*	72	949-237	MACHINE SCREW M5X12 (10 PCS.)	2	FOR EUROPE, GBR, AUT
*	73	997-466	DUST COLLECTION ADAPTER SET	1	INCLUD. 70, 72 FOR EUROPE, GBR, AUT
	74	301-806	WING BOLT M6X15	2	
	75	947-859	LOCK SPRING	2	
	76	326-089	BASE	1	
	77	326-080	SUB BASE	1	
	78	956-790	TEMPLATE GUIDE D18	1	
	79	949-234	MACHINE SCREW M5X6 (10 PCS.)	2	
*	80	326-179	INTERNAL WIRE (BROWN)	1	FOR FIN, NOR, SWE, DEN, AUT

STANDARD ACCESSORIES

M 8V2

ITEM NO.	CODE NO.	DESCRIPTION	NO. USED	REMARKS
501	956-797	STRAIGHT GUIDE	1	
502	971-622	GUIDE BAR	2	
503	301-806	WING BOLT M6X15	2	
504	323-295	WRENCH 23MM	1	
* 505	326-095	CASE	1	EXCEPT FOR AUT, USA, CAN
* 506	971-852	CHUCK SLEEVE 8X6	1	FOR EUROPE, FIN, NOR, SWE, DEN
507	326-091	BAR HOLDER	1	
508	949-394	WING BOLT M6X10 (10 PCS.)	1	
509	956-793	FEED SCREW	1	

OPTIONAL ACCESSORIES

ITEM NO.	CODE NO.	DESCRIPTION	NO. USED	REMARKS
601	997-466	DUST COLLECTION ADAPTER SET	1	INCLUD. 602, 603
602	997-467	KNOB NUT	2	
603	949-237	MACHINE SCREW M5X12 (10 PCS.)	2	
604	956-794	TRIMMER GUIDE	1	
605	318-304	ADJUSTING KNOB SET	1	INCLUD. 606-609
606	318-350	SQUARE NUT	1	
607	317-300	SLEEVE	1	
608	956-046	WASHER (B)	1	
609	971-858	SPRING (A)	1	
* 610	956-808	STRAIGHT BIT (TCT) D8X8	1	
* 610	971-878	STRAIGHT BIT (TCT) D1/4"X1/4"	1	FOR NZL, AUS, GBR, USA, CAN
* 611	956-756	TEMPLATE GUIDE ADAPTER	1	FOR USA, CAN
* 612	323-298	TEMPLATE GUIDE D7.9	1	FOR USA, CAN
* 613	323-299	TEMPLATE GUIDE D9.5	1	FOR USA, CAN
* 614	323-300	TEMPLATE GUIDE D11.1	1	FOR USA, CAN
* 615	323-301	TEMPLATE GUIDE D12.7	1	FOR USA, CAN
* 616	323-302	TEMPLATE GUIDE D15.9	1	FOR USA, CAN
* 617	323-303	TEMPLATE GUIDE D19.1	1	FOR USA, CAN
* 618	323-304	TEMPLATE GUIDE D20.2	1	FOR USA, CAN
619	303-347	TEMPLATE GUIDE D9.5	1	
620	303-348	TEMPLATE GUIDE D10	1	
621	303-349	TEMPLATE GUIDE D11.1	1	
622	303-350	TEMPLATE GUIDE D12	1	
623	303-351	TEMPLATE GUIDE D12.7	1	
624	303-352	TEMPLATE GUIDE D14	1	
625	303-353	TEMPLATE GUIDE D16	1	
626	303-354	TEMPLATE GUIDE D24	1	
627	303-355	TEMPLATE GUIDE D40	1	