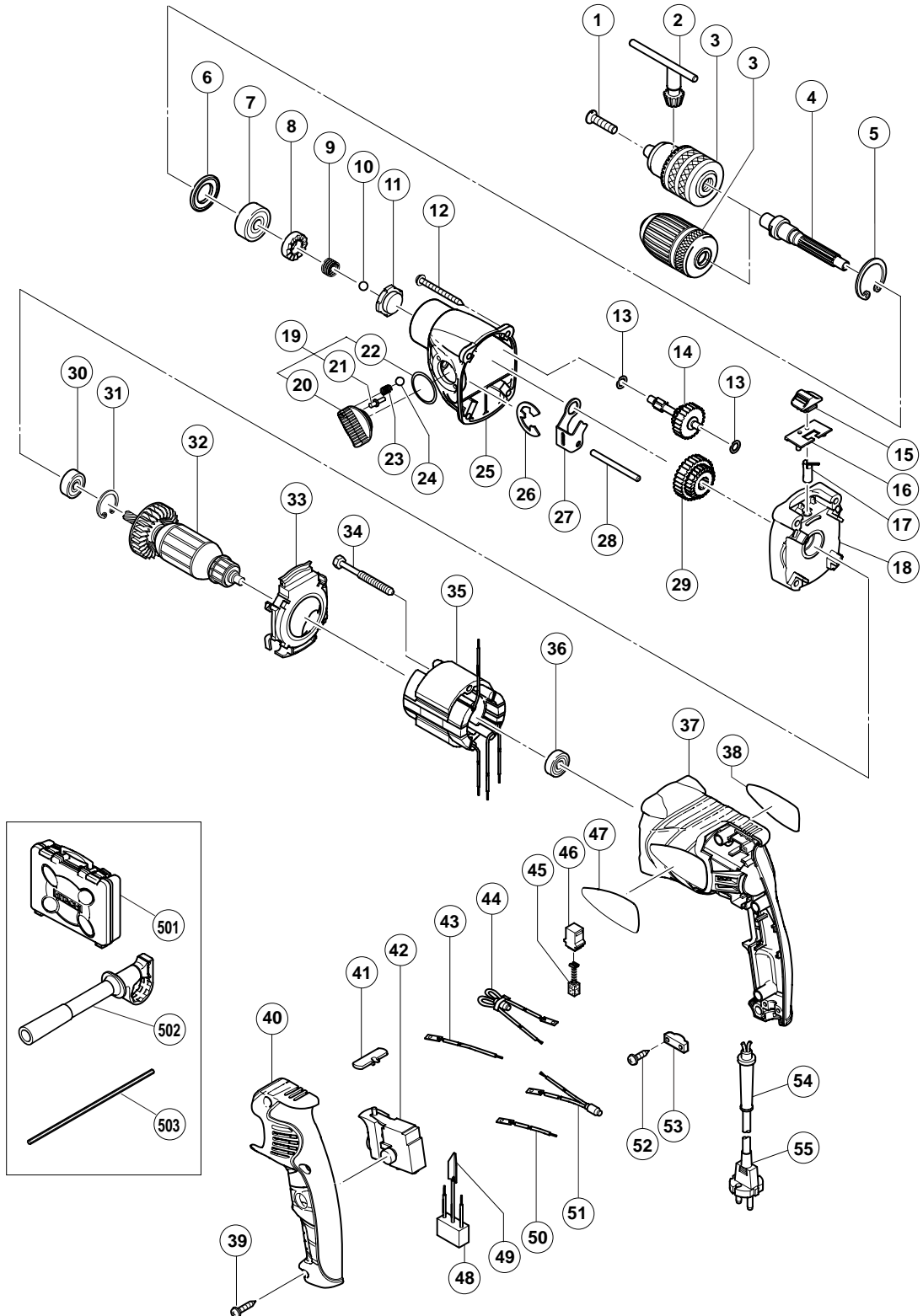


ELECTRIC TOOL PARTS LIST

IMPACT DRILL
Model DV 18V

2004 • 4 • 20
(E1)



PARTS

DV 18V

ITEM NO.	CODE NO.	DESCRIPTION	NO. USED	REMARKS
1	995-344	FLAT HD. SCREW (A) (LEFT HAND) M6X25	1	
* 2	987-576	CHUCK WRENCH FOR 13VLB-D,13VLR-D	1	
* 3		DRILL CHUCK	1	INCLUD. 1, 2 SUPPLIED WITH ITEM NO. 601
* 3	322-357	DRILL CHUCK 13VLRH-N (W/O CHUCK WRENCH)	1	
4	322-857	SPINDLE (B)	1	
5	939-556	RETAINING RING FOR D35 HOLE (10 PCS.)	1	
6	322-851	DUST SEAL	1	
7	620-2DD	BALL BEARING 6202DDCMPS2L	1	
8	322-850	RATCHET (A)	1	
9	984-101	SPRING (A)	1	
10	959-150	STEEL BALL D6.35 (10 PCS.)	1	
11	322-845	RATCHET (B)	1	
12	316-321	TAPPING SCREW (W/FLANGE) D5X45	4	
13	322-852	WASHER (B)	2	
14	322-858	SECOND PINION AND GEAR SET	1	
15	322-841	CHANGE LEVER	1	
16	322-842	CHANGE COVER	1	
17	322-840	CHANGE SHAFT	1	
18	322-859	INNER COVER (B)	1	
19	322-847	SHIFT LEVER ASS'Y	1	INCLUD. 20-22
20		SHIFT LEVER	1	
21	322-848	SHIFT PIN	1	
22	306-353	O-RING (S-22)	1	
23	981-328	SPRING (H)	1	
24	319-535	STEEL BALL D3.5 (10 PCS.)	1	
25	322-844	GEAR COVER (A) ASS'Y	1	INCLUD. 11
26	323-048	RETAINING RING (E-TYPE) FOR D15 SHAFT	1	
27	322-849	SHIFT ARM	1	
28	322-860	PIN D5	1	
29	322-846	GEAR SET	1	
30	608-DDM	BALL BEARING 608DDC2PS2L	1	
31	939-553	RETAINING RING FOR D22 HOLE (10 PCS.)	1	
* 32	360-655C	ARMATURE 110V	1	
* 32	360-655E	ARMATURE 220V-230V	1	
* 32	360-655F	ARMATURE 240V	1	
33	322-843	FAN GUIDE	1	
34	981-824	HEX. HD. TAPPING SCREW D4X45	2	
* 35	340-589C	STATOR 110V	1	
* 35	340-589E	STATOR 220V-230V	1	
* 35	340-589F	STATOR 240V	1	
36	608-VVM	BALL BEARING 608VVC2PS2L	1	
37	322-861	HOUSING	1	
38		NAME PLATE	1	
39	301-653	TAPPING SCREW (W/FLANGE) D4X20 (BLACK)	3	
40	322-862	HANDLE COVER	1	
41	322-853	PUSHING BUTTON	1	
42	322-854	SWITCH (1P PILLAR TYPE)	1	
* 43	321-630	INTERNAL WIRE (BROWN) 100L	1	FOR SYR, THA, INA, KUW, IND, SIN, HKG
* 44	322-517	CHOKE COIL (BROWN) 220V-240V	1	FOR ITA, ESP, GBR (230V), NZL, AUS, AUT, SAF, CHN
* 44	322-518	CHOKE COIL (BROWN) 110V	1	FOR GBR (110V)

