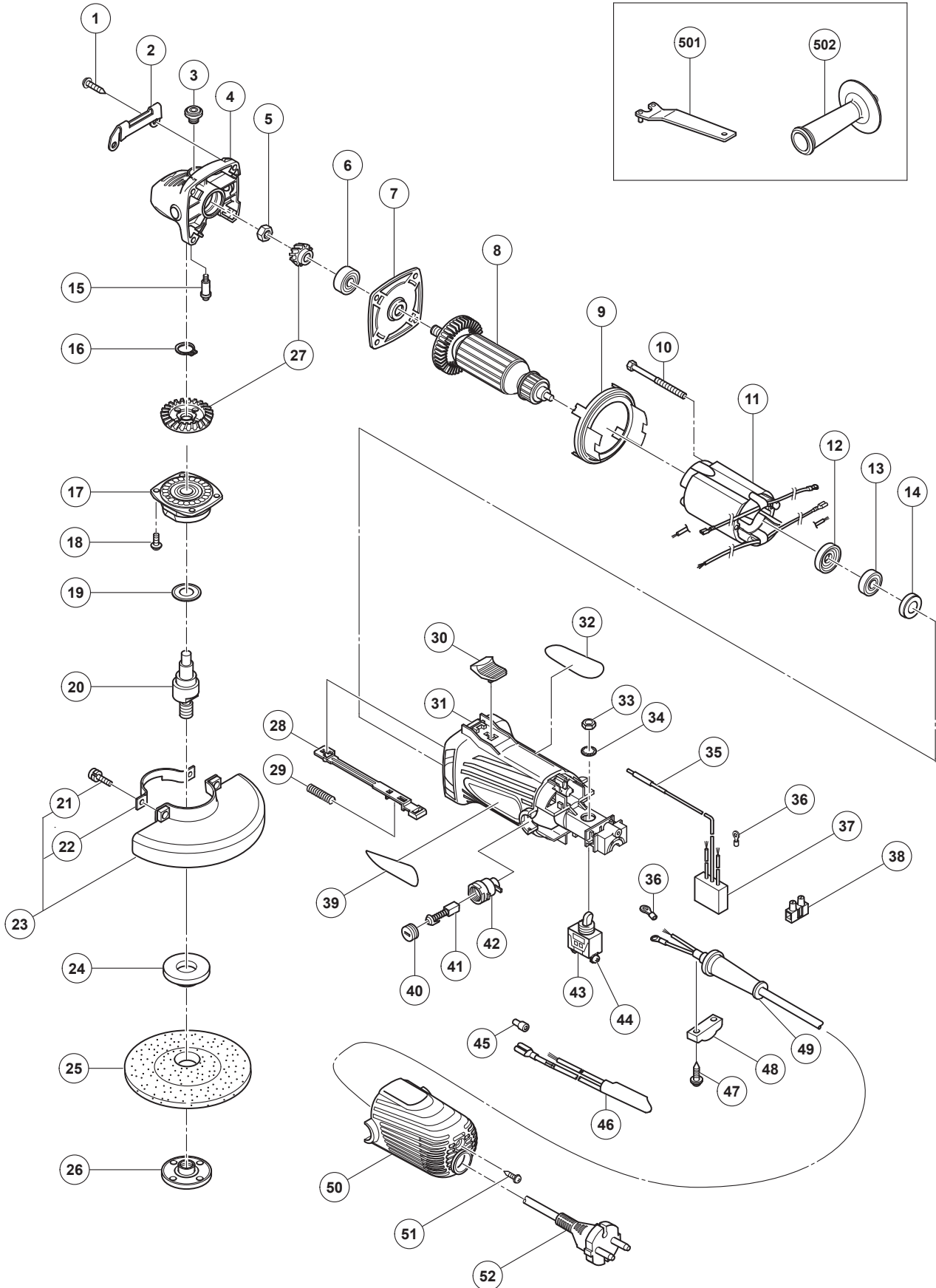


ELECTRIC TOOL PARTS LIST

DISC GRINDER
Model G 13SS

2009-1-23
(E1)



PARTS

G 13SS

ITEM NO.	CODE NO.	DESCRIPTION	NO. USED	REMARKS
1	320-523	TAPPING SCREW D5X25 (BLACK)	4	
2	317-807	GUARD PLATE	1	
3	301-944	PUSHING BUTTON	1	
4	328-181	GEAR COVER ASS'Y	1	INCLUD. 3, 16
5	309-191	SPECIAL NUT M6	1	
6	608-VVM	BALL BEARING 608VVC2PS2L	1	
7	328-184	BEARING HOLDER	1	
* 8	360-802C	ARMATURE 110V	1	
* 8	360-802U	ARMATURE ASS'Y 120V	1	INCLUD. 7, 13, 14
* 8	360-802F	ARMATURE 220V	1	
* 8	360-802E	ARMATURE 230V-240V	1	
9	328-177	FAN GUIDE	1	
10	963-712	HEX. HD. TAPPING SCREW D4X65	2	
* 11	340-705C	STATOR 100V-110V	1	
* 11	340-705G	STATOR 110V	1	FOR TPE, GBR (110V)
* 11	340-705D	STATOR 120V	1	
* 11	340-705E	STATOR 220V-230V	1	
* 11	340-705F	STATOR 240V	1	
* 11	340-705H	STATOR 240V	1	FOR AUS
12	321-722	DUST SEAL	1	
13	626-VVM	BALL BEARING 626VVC2PS2L	1	
14	309-929	RUBBER BUSHING	1	
15	301-943	LOCK PIN	1	
16	316-487	RETAINING RING FOR D11 SHAFT	1	
17	328-182	PACKING GLAND	1	
18	328-628	SEAL LOCK SCREW (W/WASHER) M4X12	4	
19	328-185	WASHER (A)	1	
* 20	330-700	SPINDLE	1	
* 20	330-701	SPINDLE	1	FOR MEX
21	308-386	MACHINE SCREW (W/SP. WASHER) M5X16 (BLACK)	2	
22	301-949	SET PLATE	1	
23	319-116	WHEEL GUARD ASS'Y	1	INCLUD. 21, 22
* 24	937-817Z	WHEEL WASHER	1	
* 24	319-373	WHEEL WASHER	1	FOR MEX
25	316-822	D. C. WHEELS 125MM A36Q (25 PCS.)	1	
* 26	994-324	WHEEL NUT M14	1	
* 26	937-923P	WHEEL NUT 5/8"-11UNC	1	FOR MEX
27	330-699	GEAR AND PINION SET	1	
28	314-427	SLIDE BAR	1	
29	314-429	SPRING	1	
30	314-428	SLIDE KNOB	1	
31	328-176	HOUSING ASS'Y	1	INCLUD. 15
32		NAME PLATE	1	
33		LOCK NUT	1	
34		LOCK WASHER	1	
* 35	314-854	EARTH TERMINAL	1	FOR NOISE SUPPRESSOR
* 36	980-063	TERMINAL	1	FOR NOISE SUPPRESSOR
* 36	980-063	TERMINAL	1	FOR CORD
* 37	317-491	NOISE SUPPRESSOR	1	FOR NZL, AUS, GBR (230V), SAF, EUROPE, FIN, NOR, SWE, DEN, AUT, CHN, KOR

PARTS

G 13SS

ITEM NO.	CODE NO.	DESCRIPTION	NO. USED	REMARKS
* 37	994-273	NOISE SUPPRESSOR	1	FOR TPE, GBR (110V)
38	938-307	PILLAR TERMINAL	1	
39		HITACHI LABEL	1	
40	936-551	BRUSH CAP	2	
41	999-021	CARBON BRUSH (1 PAIR)	2	
42	313-777	BRUSH HOLDER	2	
* 43	330-713	SWITCH (1P SCREW TYPE) W/SCREW	1	INCLUD. 44
* 43	955-509	SWITCH (1P SCREW TYPE)	1	INCLUD. 44 FOR NZL, AUS, MEX, CHN, TPE, KOR
44	305-499	MACHINE SCREW (W/WASHER) M3.5X6	2	
* 45	959-140	CONNECTOR 50091 (10 PCS.)	2	FOR AUS, GBR (110V), TPE
* 46	328-629	CHOKE COIL	2	FOR AUS, GBR (110V), TPE
47	984-750	TAPPING SCREW (W/FLANGE) D4X16	2	
48	937-631	CORD CLIP	1	
49	953-327	CORD ARMOR D8.8	1	
50	328-183	TAIL COVER	1	
51	305-812	TAPPING SCREW (W/FLANGE) D4X16 (BLACK)	1	
* 52	500-409Z	CORD	1	(CORD ARMOR D8.8)
* 52	500-435Z	CORD	1	(CORD ARMOR D8.8) FOR SIN, KUW, HKG, GBR (230V)
* 52	500-468Z	CORD	1	(CORD ARMOR D8.8) FOR THA, CHN
* 52	500-470Z	CORD	1	(CORD ARMOR D8.8) FOR VEN, TPE
* 52	500-447Z	CORD	1	(CORD ARMOR D8.8) FOR SYR
* 52	500-439Z	CORD	1	(CORD ARMOR D8.8) FOR NZL, AUS
* 52	500-461Z	CORD	1	(CORD ARMOR D8.8) FOR GBR (110V)
* 52	500-240Z	CORD	1	(CORD ARMOR D8.8) FOR MEX
* 52	500-475Z	CORD	1	(CORD ARMOR D8.8) FOR KOR

STANDARD ACCESSORIES

G 13SS

ITEM NO.	CODE NO.	DESCRIPTION	NO. USED	REMARKS	
	501	938-332Z	WRENCH	1	
*	502	302-142	SIDE HANDLE	1	
*	502	318-312	SIDE HANDLE	1	FOR MEX

OPTIONAL ACCESSORIES

ITEM NO.	CODE NO.	DESCRIPTION	NO. USED	REMARKS	
*	601	937-825Z	RUBBER PAD	1	
*	601	938-317	RUBBER PAD	1	FOR USA, CAN
*	602	937-826Z	WASHER NUT	1	
*	602	938-318	WASHER NUT	1	FOR USA, CAN
	603	314-062	SANDING DISCS 125MM C-P16 (10 PCS.)	1	
	604	314-063	SANDING DISCS 125MM C-P20 (10 PCS.)	1	
	605	314-064	SANDING DISCS 125MM C-P24 (10 PCS.)	1	
	606	314-065	SANDING DISCS 125MM C-P30 (10 PCS.)	1	
	607	314-066	SANDING DISCS 125MM C-P36 (10 PCS.)	1	
	608	314-067	SANDING DISCS 125MM C-P40 (10 PCS.)	1	
	609	314-068	SANDING DISCS 125MM C-P50 (10 PCS.)	1	
	610	314-069	SANDING DISCS 125MM C-P60 (10 PCS.)	1	
	611	314-070	SANDING DISCS 125MM C-P80 (10 PCS.)	1	
	612	314-071	SANDING DISCS 125MM C-P100 (10 PCS.)	1	
	613	314-072	SANDING DISCS 125MM C-P120 (10 PCS.)	1	